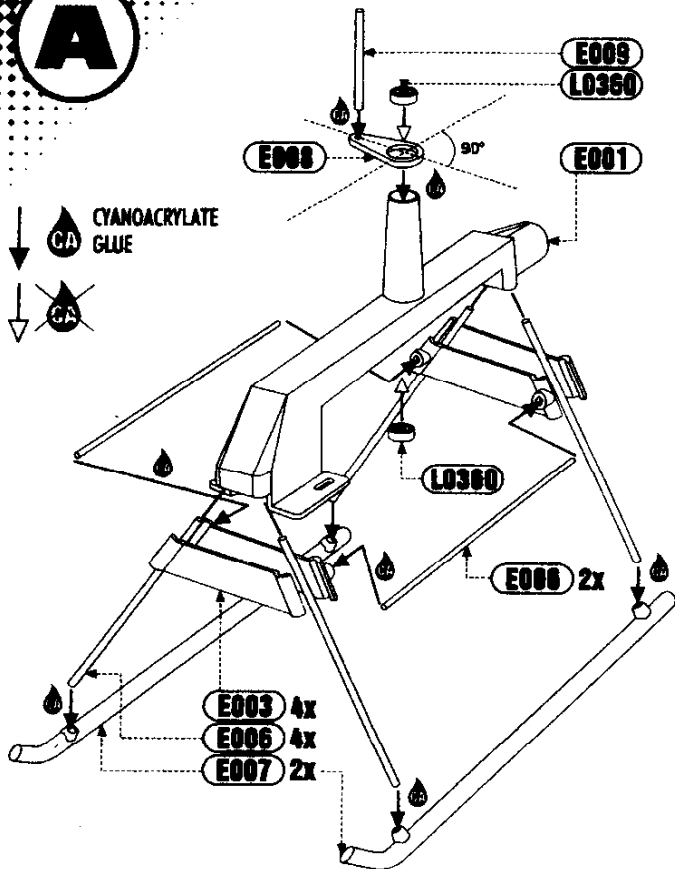
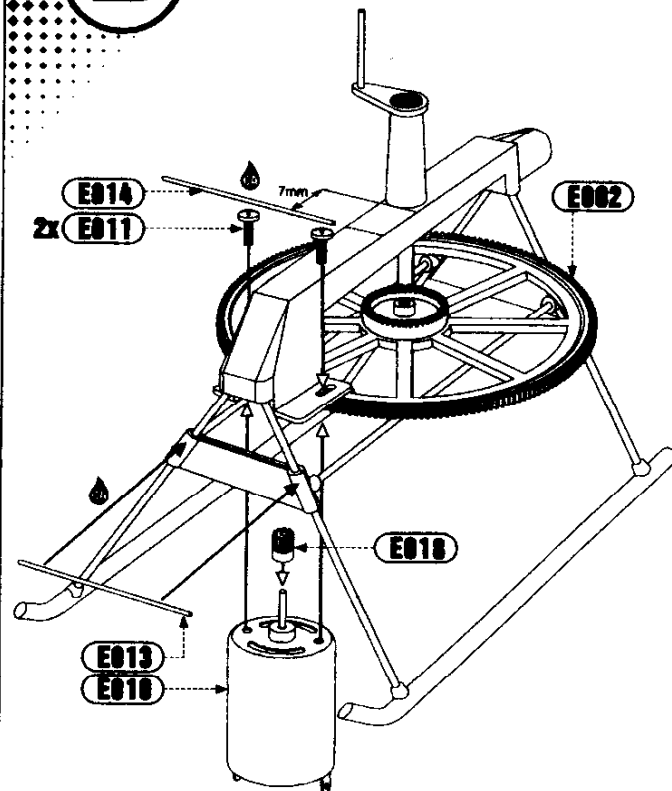
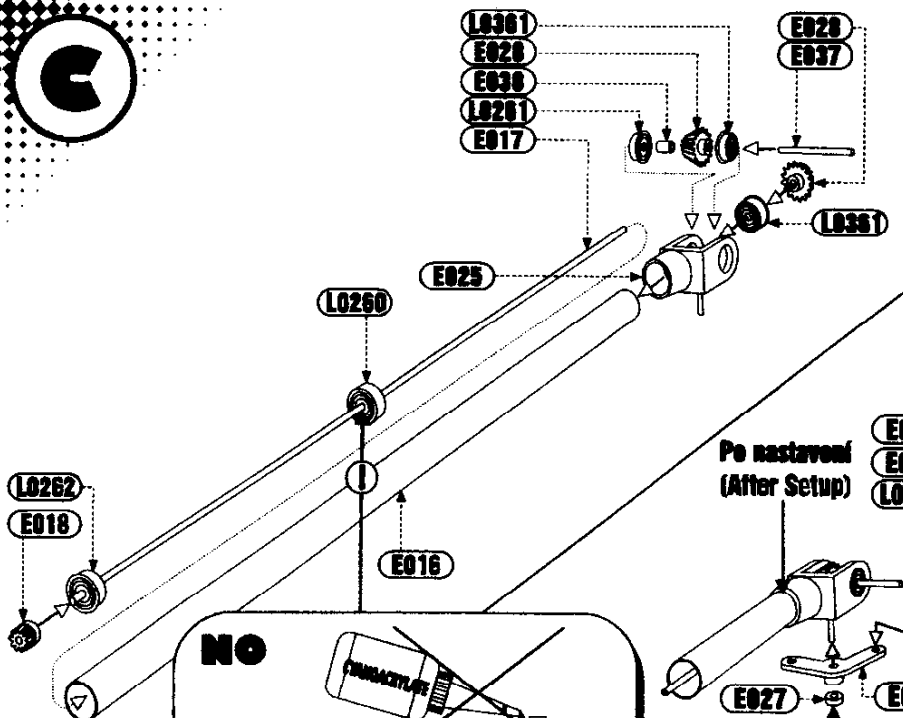
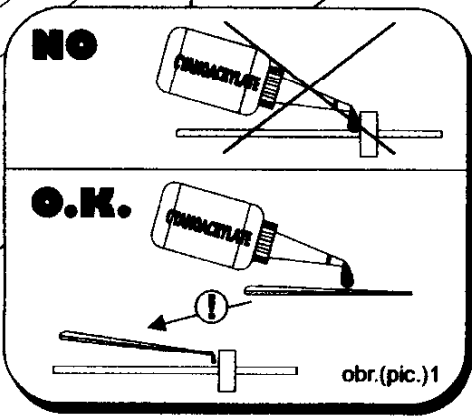
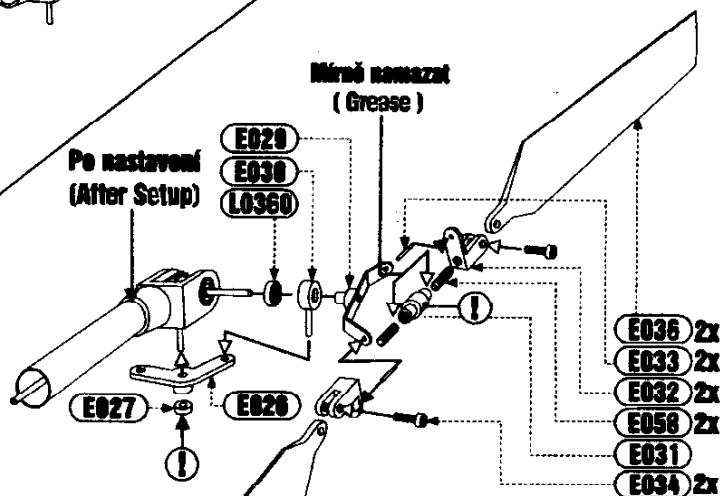
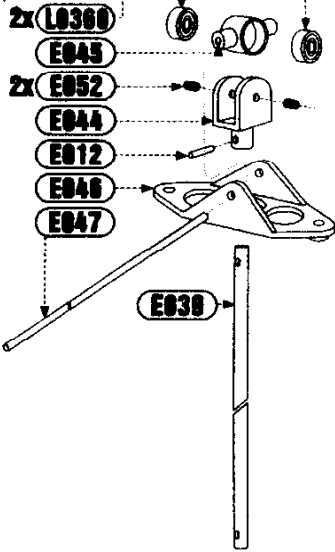
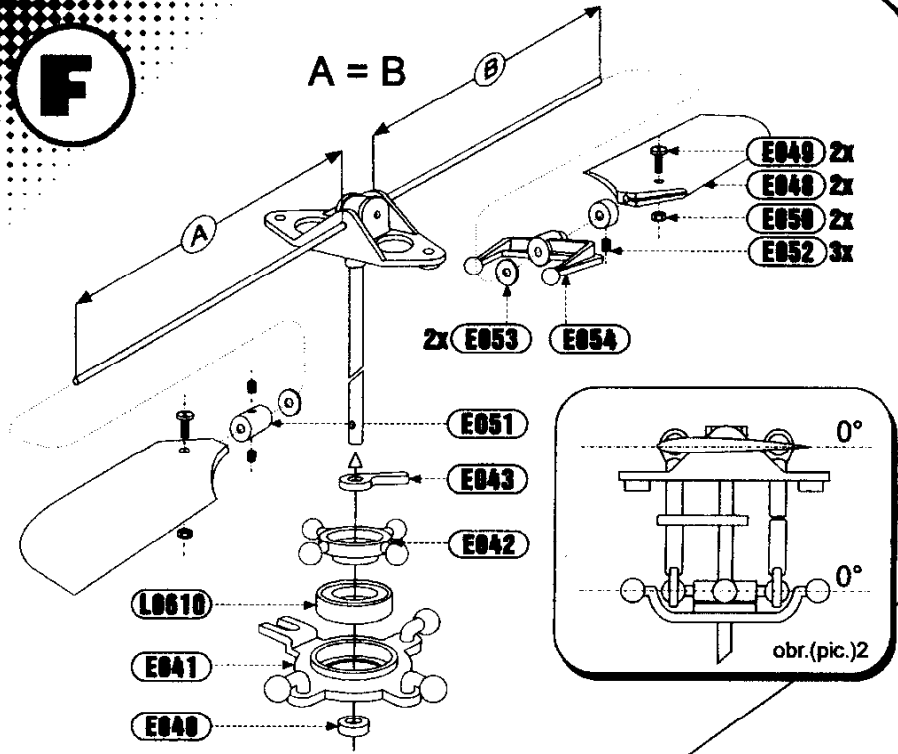
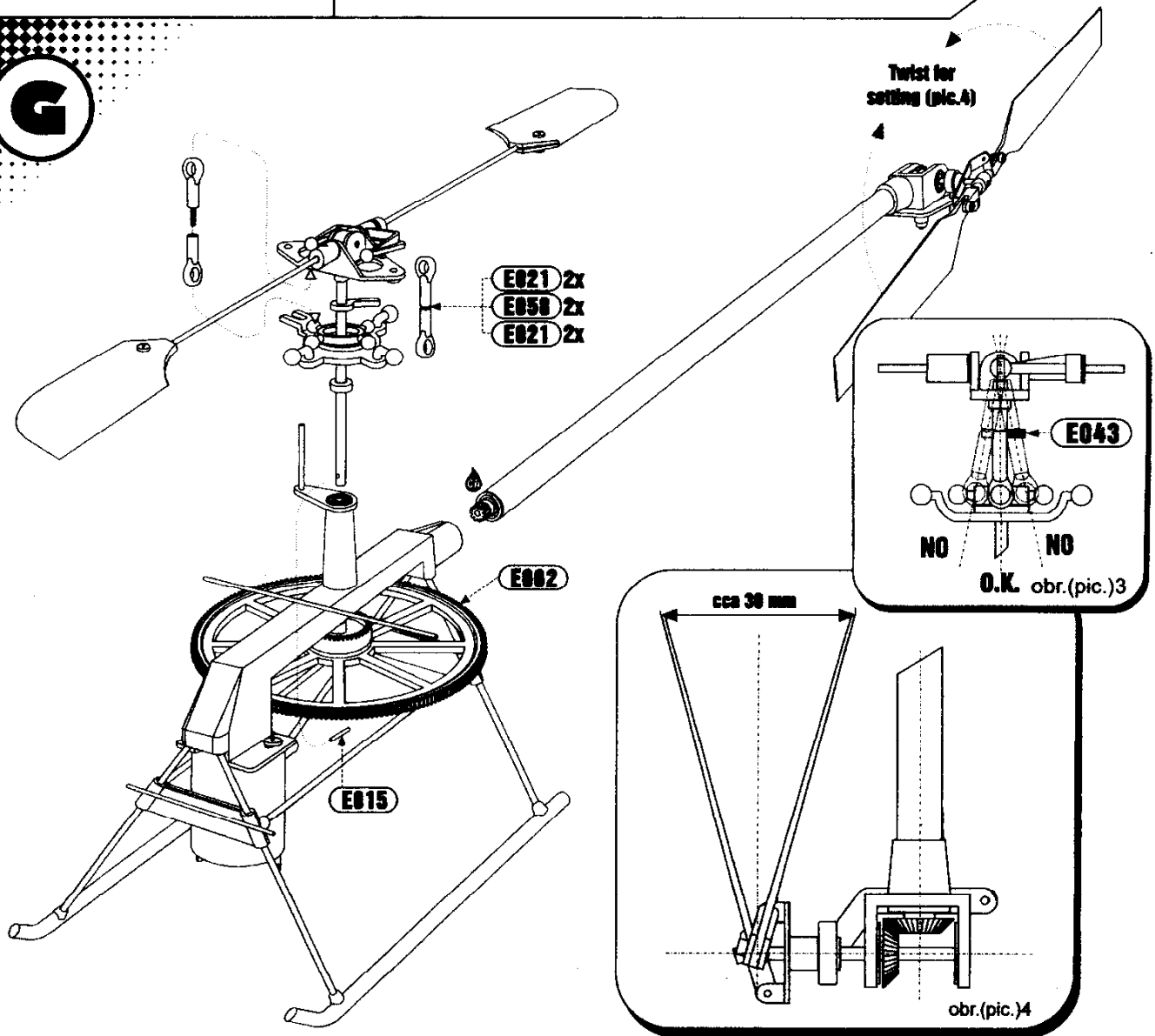


A**B****C****D**

E**F****G**

H

2x E021
2x E050
2x E020

E024
E023

E064

E022
E020 2x

I

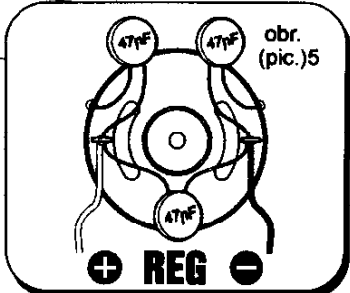
Servo

Servo

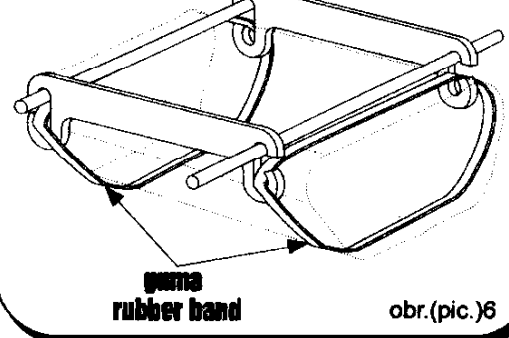
E055 2x
E056 2x
E057 2x
E059 2x

Servo

Rx



Upevnění akumulátoru
Mounting of Accu

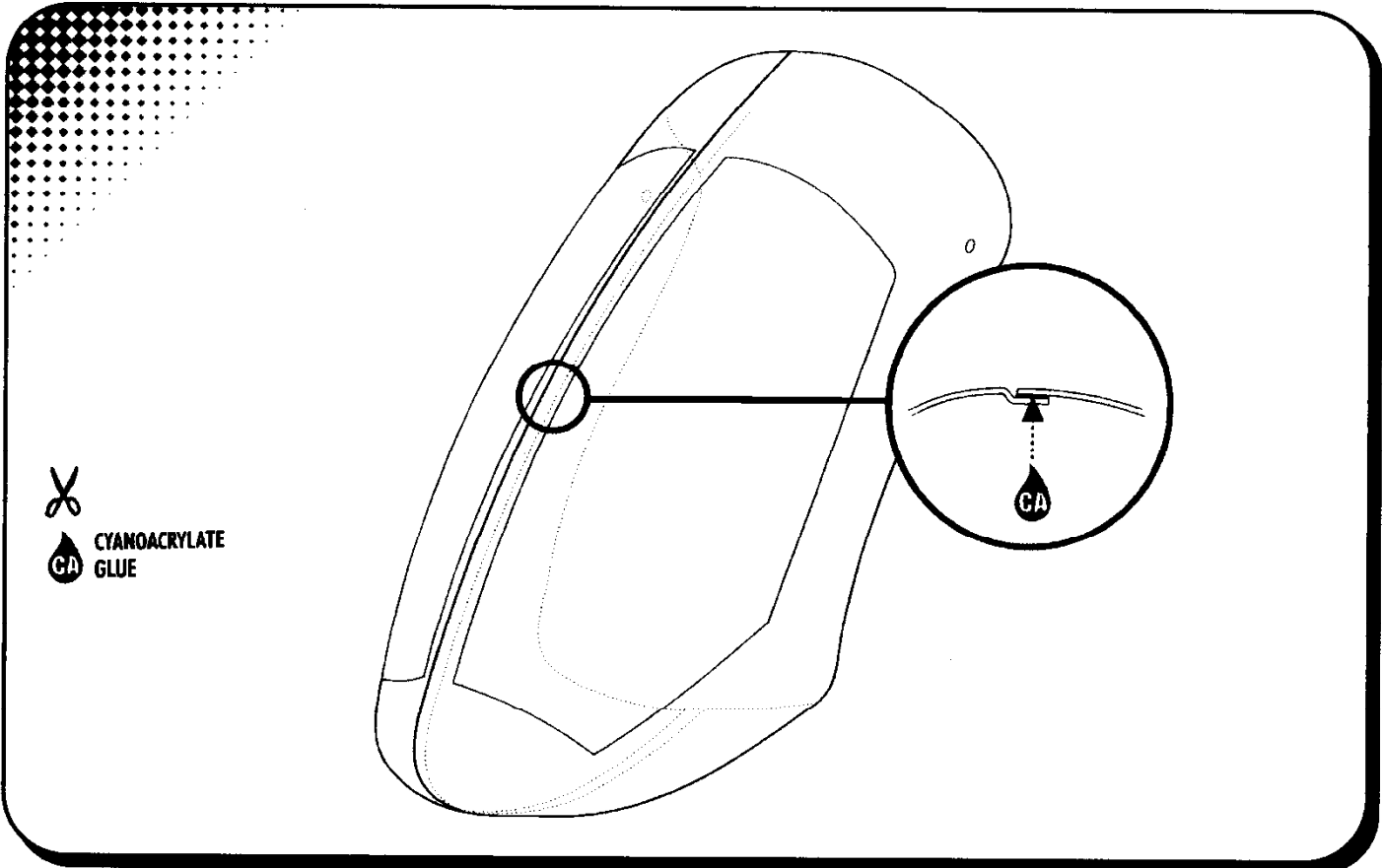


Gyro

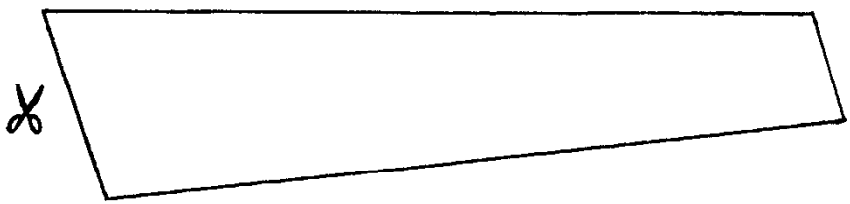
E035 2x

E062 3x
E003

Reg



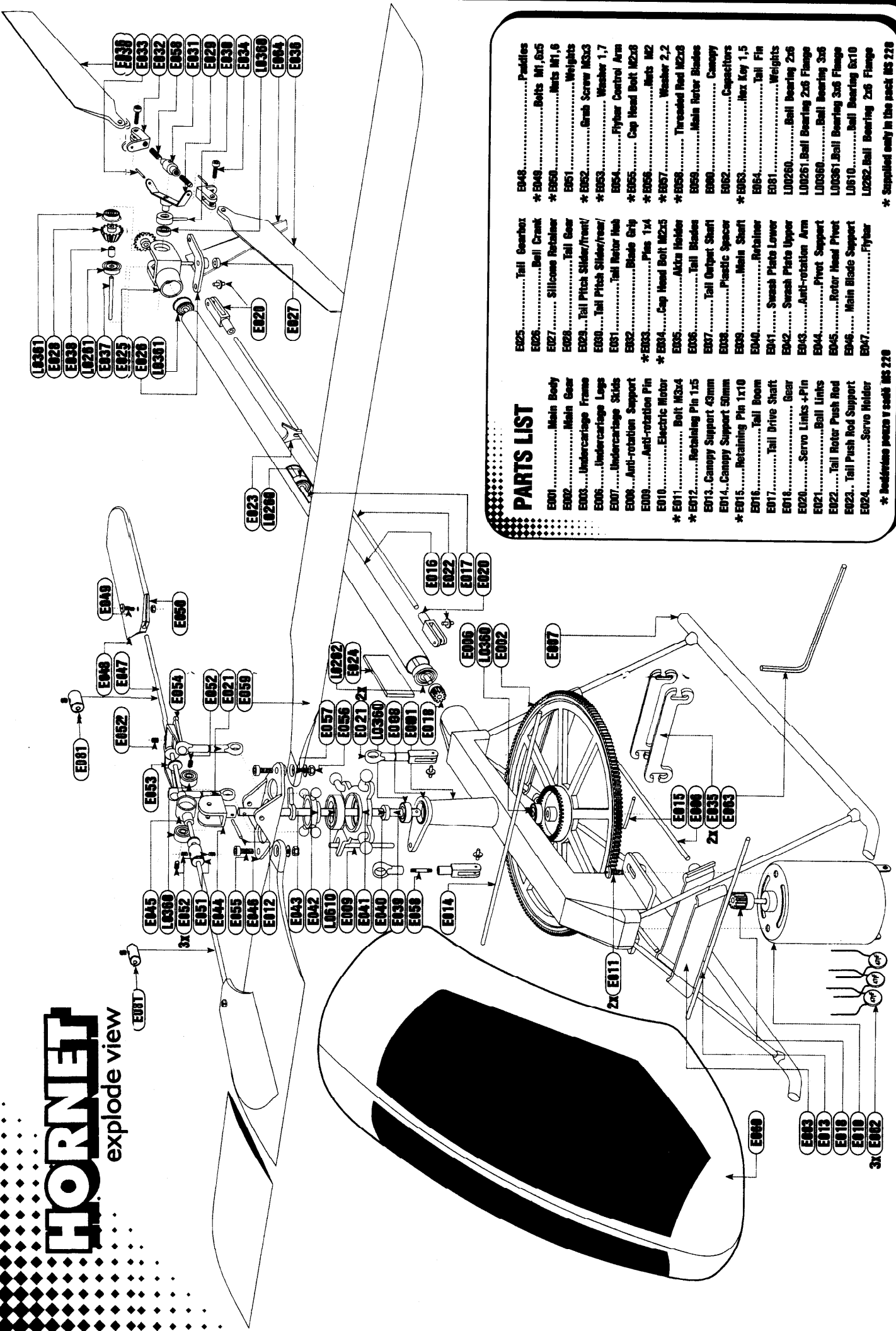
✂
CA
CYANOACRYLATE
GLUE



Trer 30P E064
Shape of Tail Fin E064

HORNET

explode view



PARTS LIST

E001	Main Body	E048	Paddles
E002	Main Gear	*E049	Bolts M1,6x5
E003	Undercarriage Frame	*E050	Nuts M1,6
E006	Undercarriage Legs	E051	Weights
E007	Undercarriage Slides	*E052	Grab Screw M3x3
E008	Anti-rotation Support	*E053	Washer 1,7
E009	Anti-rotation Pin	E054	Flybar Control Arm
*E011	Electric Motor	*E055	Cap Head Bolt M2x6
*E012	Bolt M3x4	*E056	Nuts M2
E013	Retaining Pin 1x5	*E057	Washer 2,2
E014	Canopy Support 43mm	E058	Threaded Rod M2x6
*E015	Retaining Pin 1x10	E059	Main Retor Blades
E016	Tail Boom	E060	Canopy
E017	Tail Drive Shaft	E062	Capacitors
E018	Gear	*E063	Hex Key 1,5
E020	Servo Links +Pin	E064	Tail Fin
E021	Ball Links	E061	Weights
E022	Tail Retor Push Rod	L00200	Ball Bearing 2x6
E023	Tail Push Rod Support	L00261	Ball Bearing 2x6 Flange
E024	Servo Holder	L00360	Ball Bearing 3x6
		L00361	Ball Bearing 3x6 Flange
		L0610	Ball Bearing 6x10
		L0202	Ball Bearing 2x6 Flange
		E027	Flybar
E025	Tail Gearbox		
E026	Bell Crank		
E027	Silicone Rebarber		
E028	Tail Gear		
E029	Tail Pitch Slider/front/		
E030	Tail Pitch Slider/rear/		
E031	Tail Retor Hub		
E032	Blade Grip		
*E033	Pin 1x4		
*E034	Cap Head Bolt M2x5		
E035	Altra Holder		
E036	Tail Blades		
E037	Tail Output Shaft		
E038	Plastic Spacer		
E039	Main Shaft		
E040	Retainer		
E041	Sweash Photo Lower		
E042	Sweash Photo Upper		
E043	Anti-rotation Arm		
E044	Pivot Support		
E045	Retor Head Pivot		
E046	Main Blade Support		
E047	Flybar		

* Inadvenno pecora v cede MS 278

* Supplied only in the pack MS 278